

FABENCo, Inc.

"The Safety Gate Company"

Applications (A & XL Series)

Save the Time and Expense of Fabricating Gates for Any Application

1. Adaptable

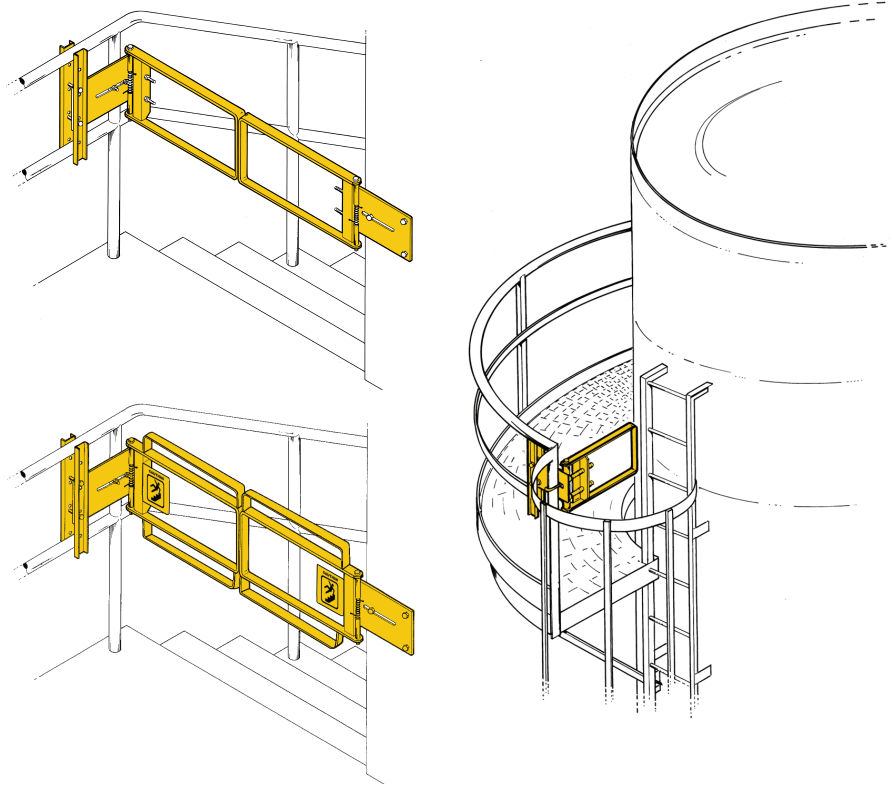
Mounts on all types of handrail (channel, angle, flatbar, pipe) or to an existing wall.

2. Adjustable

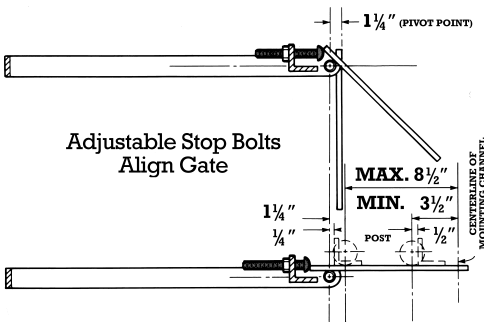
When mounting with plate directly in line, safety gates can be adjusted out to fit opening. Adjustable stop bolts provide positive stop without handrail contact. They also allow position selection to assure closing on either standard or unusual wall and rail angles.

3. Versatile

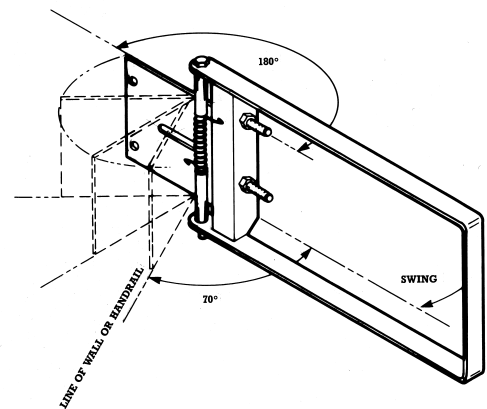
Can be mounted left or right, on either side of handrail, at different levels. Custom stainless steel spring returns gate after each passage.



Technical Data



Gate can be adjusted out up to 1-1/2" with minimal obstruction (Mounting Plate) in opening.



OSHA

Fall Protection Requirements from the GENERAL INDUSTRY STANDARDS (29 CFR/1910)

Subpart D

Walking-Working Surfaces

1910.23(a)(2)

Every ladderway floor opening or platform shall be guarded by a standard railing with standard toeboard on all exposed sides (except at entrance to opening), with the passage through the railing either provided with a swinging gate or so offset that a person cannot walk directly into the opening.

1910.23(e)(3)(v)(b)

A strength to withstand at least the minimum requirement of 200 pounds top rail pressure;