

FABENCo, Inc.

“The Safety Gate Company”

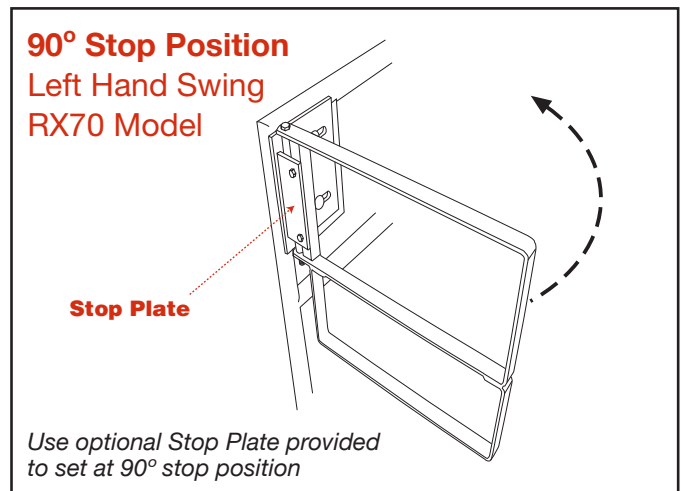
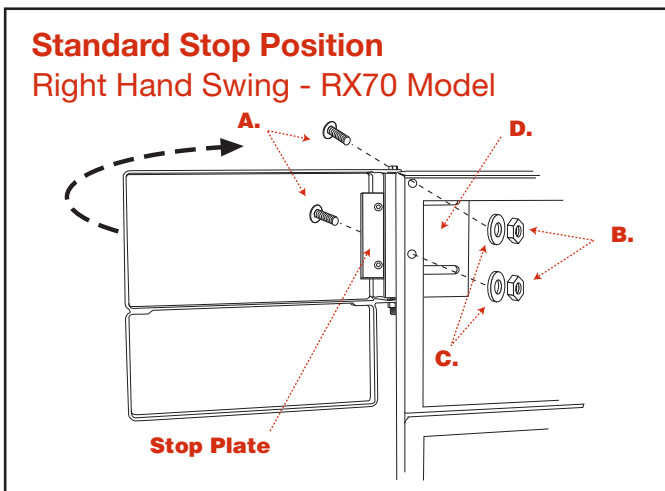
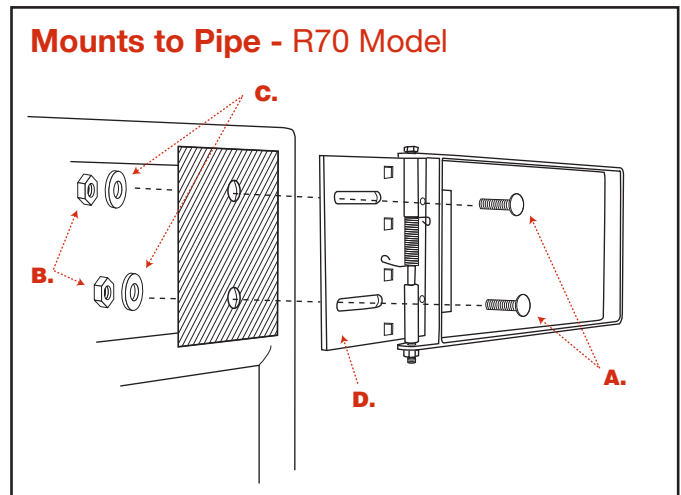
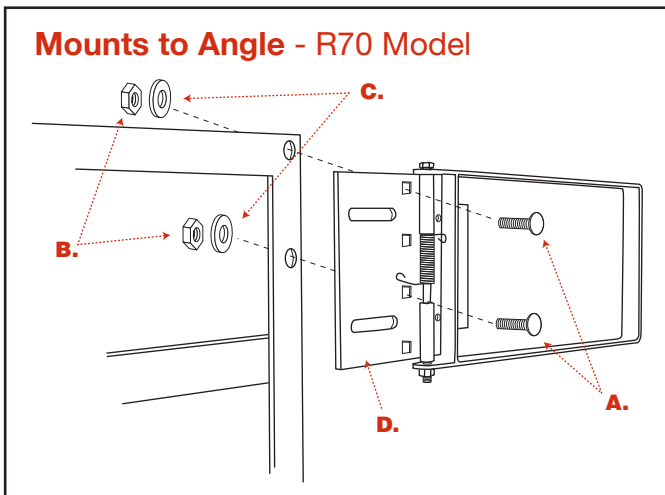
Mounting Tips

“R Series” and “RX Series”

The FabEnCo Self-Closing “R Series” and “RX Series” Safety Gates can be installed in minutes on all types of handrails (angle and pipe) using existing handrail holes from old “plastic” gates. Choose standard or 90° stop positions.

Hardware

Parts	Quantity
A. 5/8” Zinc-Plated Carriage Bolts	2
B. 5/8” Zinc-Plated Heavy Hex Nuts	2
C. 5/8” Zinc-Plated Lock Washers	2
D. Mounting Plate/Assembly Frame	1
<i>(with 1 optional Stop Plate)</i>	



Suggested Tools: Adjustable Wrench and Socket Set with 1-1/16” and 9/16” Sockets

For additional information or assistance, call 1-800-962-6111.