

FABENCo, Inc.

“The Safety Gate Company”

Mounting Tips

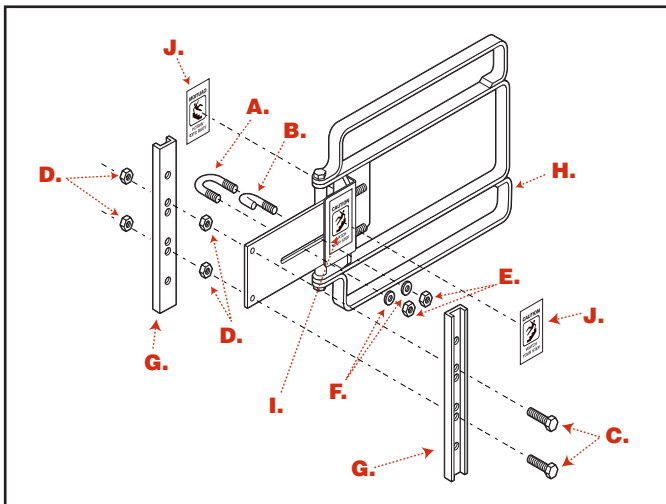
“XL Series” – U.S. Pat. # 6,684,566

The FabEnCo XL Self-Closing Safety Gate can be easily installed in minutes on all types of handrails (angle, flatbar, pipe) or to existing walls. It can be mounted left or right, on either side of a handrail. The Safety Gate’s stainless steel spring automatically closes the gate after each passage and adjustment bolts provide positive stop without handrail contact.

Hardware

| Parts | Quantity | Parts | Quantity |
|------------------------------------|----------|--|----------|
| A. U-Bolt* | 1 | G. Channels | 2 |
| B. J-Bolt* | 1 | H. Mounting Plate/Frame Assembly | 1 |
| C. 1/2" Zinc-Plated Bolts | 2 | (with 2 adjustable stop bolts) | |
| D. 1/2" Zinc-Plated Heavy Hex Nuts | 4 | I. Sign Kit | 1 |
| E. 3/8" Zinc-Plated Heavy Hex Nuts | 2 | (ships installed on Mounting Plate/Frame Assembly) | |
| F. 3/8" Zinc-Plated Washers | 2 | J. Safety Labels | 2 |

*Use U-Bolt for installation on pipes and J-Bolt for installation on angles.



Step 1:

Insert the U-Bolt (or J-Bolt) through the slot in the Mounting Plate/Frame Assembly. Fasten to the handrail with the 3/8" Washers and 3/8" Nuts.

Step 2:

Insert the 1/2" Bolts through the set of holes on one Channel, then through the Mounting Plate/Frame Assembly. Fasten the 1/2" Nuts onto the 1/2" Bolts

and tighten flush against the Mounting Plate/Frame Assembly to stabilize.

Step 3:

Place the second Channel on the other side of the handrail and tighten with the remaining 1/2" Nuts. Apply Safety Labels to Sign Kit.

Suggested Tools: Adjustable Wrench and Socket Set with 7/8" and 11/16" Sockets

For additional information or assistance, call 1-800-962-6111.