

FABENCo, Inc.

"The Safety Gate Company"

R Gate Mounting Tips

The FabEnCo Self-Closing "R Series" Safety Gate can be installed in minutes on all types of handrails (angle and pipe) using existing handrail holes from old "plastic" gates.

Choose standard or 90° stop positions.

Parts

Hardware Packet

5/8" Galvanized Carriage Bolts 2

5/8" Galvanized Heavy Hex Nuts 2

5/8" Galvanized Lock Washers 2

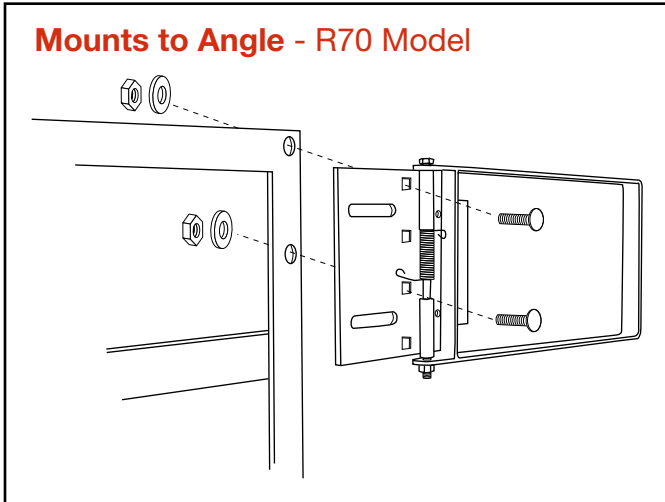
Gate/Mounting Plate Assembly 1

(with 1 stop plate)

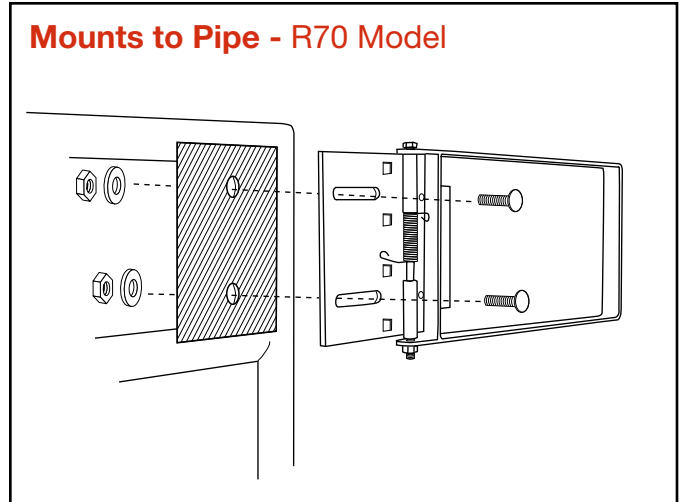
Quantity

Suggested Tools: Adjustable Wrench • Socket Set with 1 1/16" and 9/16" Sockets

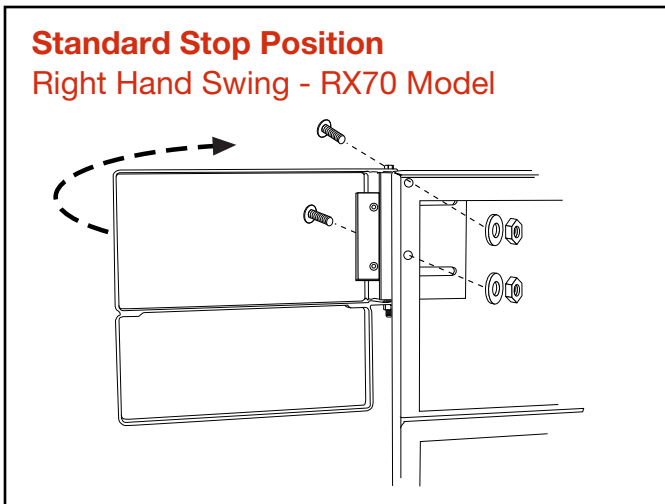
Mounts to Angle - R70 Model



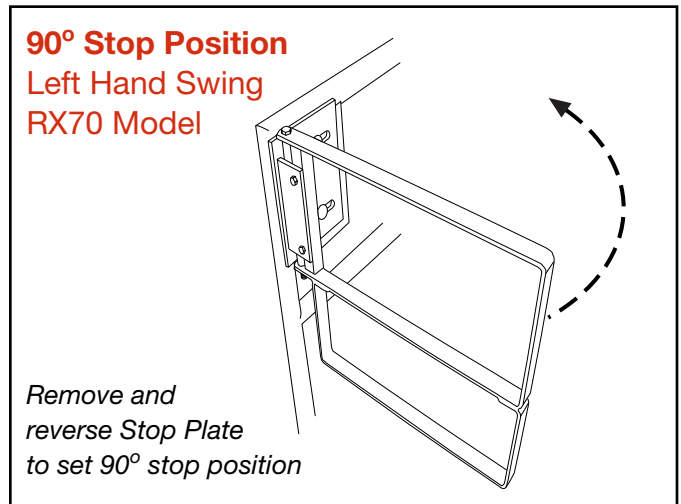
Mounts to Pipe - R70 Model



Standard Stop Position
Right Hand Swing - RX70 Model



90° Stop Position
Left Hand Swing
RX70 Model



FABENCo, Inc.

"The Safety Gate Company"

2002 Karbach • Houston, Texas 77092

Phone: (713) 686-6620 • Fax: (713) 688-8031 • Website: www.safetygate.com

Toll Free: 1-800-962-6111