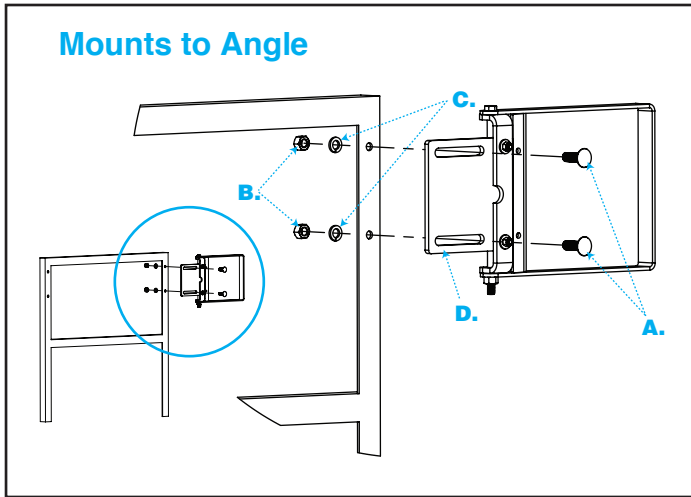


The FabEnCo R Series Self-Closing Safety Gate can be installed on all types of handrails (angle, flatbar, pipe). Choose standard or 90° stop positions.

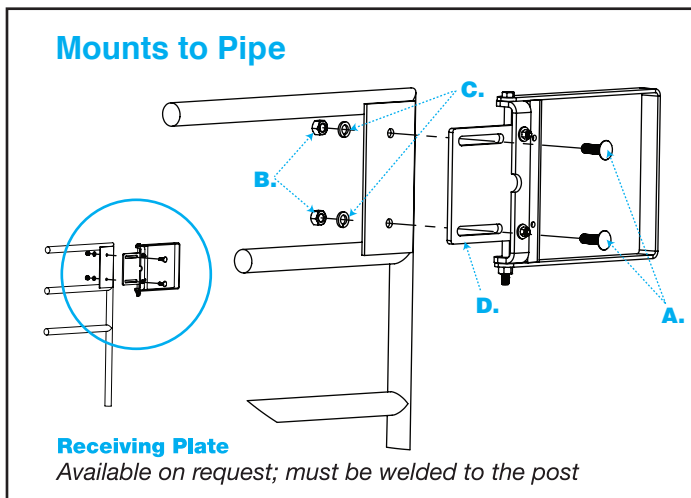


## Hardware Parts

## Quantity

- A. 5/8" Zinc-Plated Carriage Bolts ..... 2
- B. 5/8" Zinc-Plated Heavy Hex Nuts ..... 2
- C. 5/8" Zinc-Plated Lock Washers..... 2
- D. Mounting Plate/Assembly Frame..... 1

**Suggested Tools:** Adjustable Wrench and Socket Set with 1-1/16" and 9/16" Sockets



## Angle Post Installation

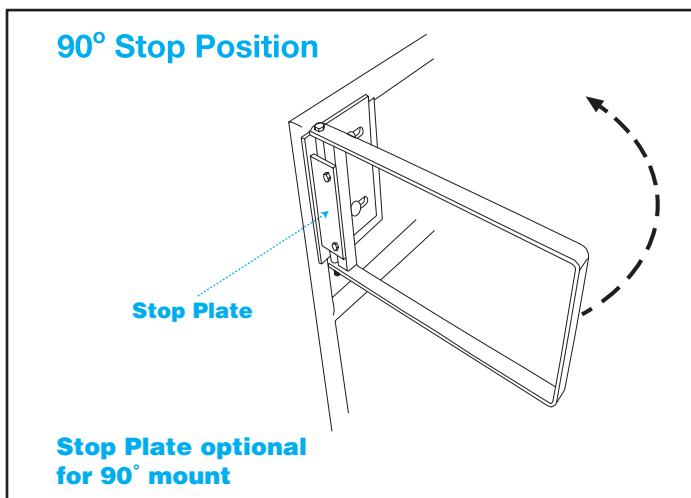
**Step 1:** Drill two holes in the angle post to fit preferred bolt position.

**Step 2:** Insert the 5/8" Carriage Bolts (A) through the holes and fasten the gate to the post with the 5/8" Heavy Hex Nuts (B) and 5/8" Lock Washers (C).

## Pipe Post Installation

**Step 1:** Weld the Receiving Plate to the pipe post.

**Step 2:** Insert the 5/8" Carriage Bolts (A) through the holes and fasten the gate to the post with the 5/8" Heavy Hex Nuts (B) and 5/8" Lock Washers (C).



For additional information or assistance, call 1-800-962-6111 or e-mail us at [info@safetygate.com](mailto:info@safetygate.com)

For additional information, please visit our website at [www.safetygate.com](http://www.safetygate.com)